

## BTX Maxblox 9 D-Sub and HDD15SVGA Screw Terminal Connectors



- 44-121 BTX CD-MX9F D-SUB 9 pin female, cable or panel mount, screw terminal
- 44-122 BTX CD-MX9M D-SUB 9 pin male, cable or panel mount, screw terminal
- 44-123 BTX CD-MX15F D-SUB HD 15 pin female, cable/panel mount, screw terminal
- 44-124 BTX CD-MX15M D-SUB HD 15 pin male, cable or panel mount, screw terminal

D-sub connectors with screw terminal connection for cable or panel mounting.  
Available in 9-pin D-sub and 15-pin high density D-sub versions.

The Phoenix connection blocks provide screw terminals with spring leaves for better clamping, and accept solid wires from 0.25mm - 1.29mm diameter or stranded wires 0.05sq.mm - 1.00sq.mm.

They can be panel mounted in a standard D-sub 9 pin aperture, or cable mounted using the special retrofit, snap-on, 'clamshell' style cover.

The cover has a cable clamp which accepts cables 3.25mm - 12.5mm diameter, and can also be used as a strain relief in panel mount applications.

A 'half-hood' can be optionally used in panel-mount applications or as a skeletal cable mount cover when space is limited, to provide a cable support and strain relief tie-off.

Both hoods are supplied complete with a pair of knurled thumbscrews.

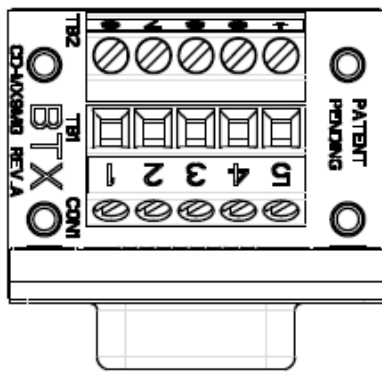
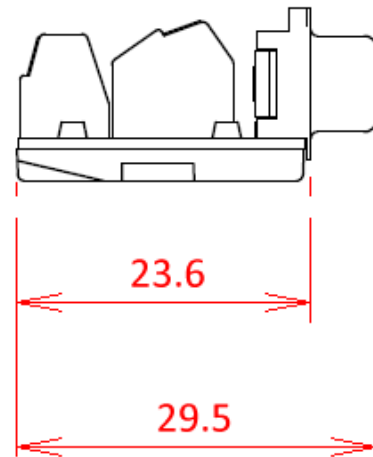
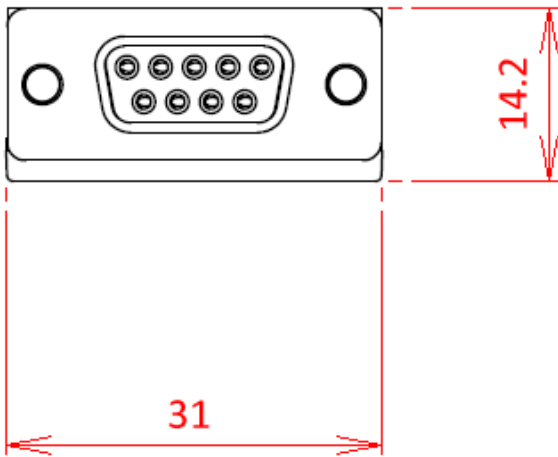
The 9-pin type has terminals marked 1 to 9, the 15-pin type is marked R,G,B,H and V plus their respective grounds. When panel mounted, depth is 25mm without the cover.

### Accessory Hoods

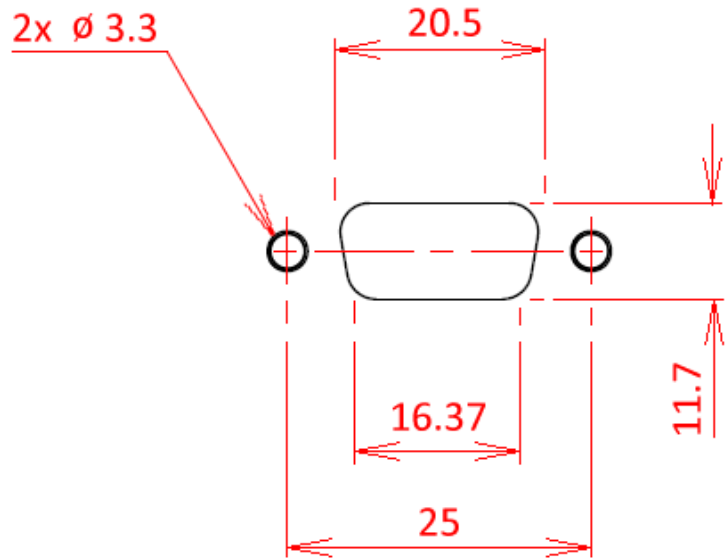


- 44-125 BTX CD-MX915H D-SUB Clamshell hood for 9 and 15 pin screw term. conns
- 44-126 BTX CD-MX915HH D-SUB Half hood for 9 and 15 pin screw term. connectors

Dimensions



NTS  
All Dims mm



Typ. Cut Out Details