

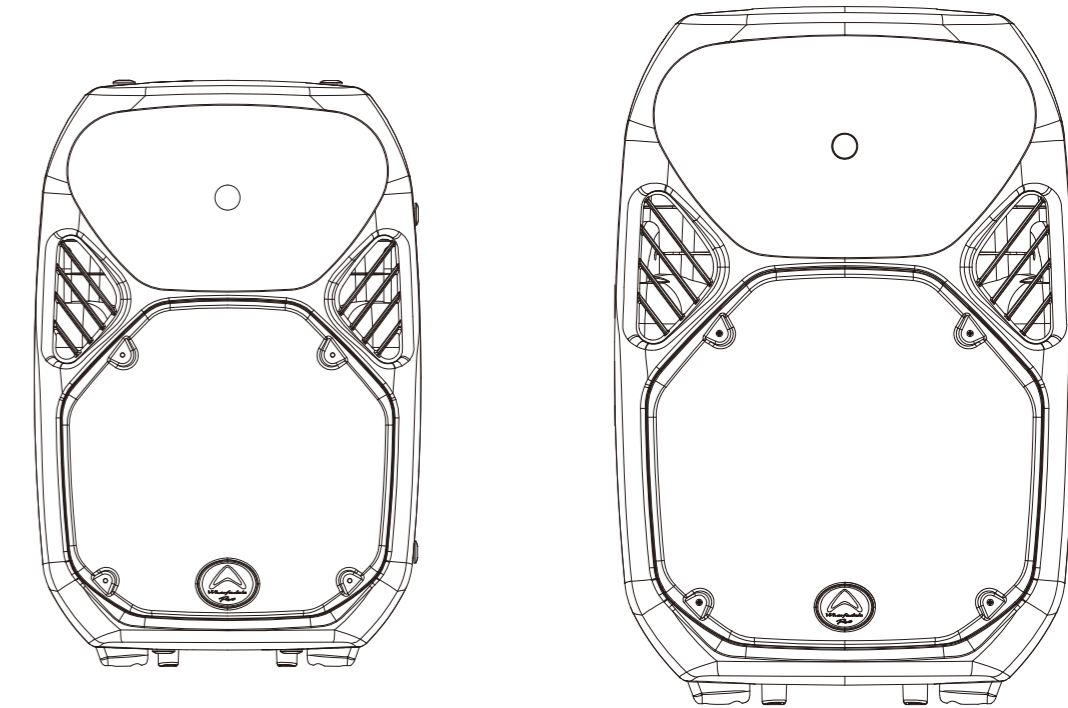
SPECIFICATIONS

Model Name	TITAN-X12	TITAN-X15
System Type	Passive	Passive
Configuration	two-way	two-way
Frequency Response (+/-3dB)	55Hz - 18kHz	50Hz - 18kHz
Frequency Range (- 10 dB)	50Hz - 20kHz	40Hz - 20kHz
Sensitivity 2.83v/1m	98dB	97dB
Calculated Maximum SPL @1m	128dB	129dB
System Rated Impedance	8Ω	8Ω
Low Frequency Transducer		
Size	305mm / 12"	381mm / 15"
Voice-Coil Size	65mm / 2.5"	75mm / 3"
Rated Impedance	8Ω	8Ω
LF Power re:AES2-2012	250W	400W
High Frequency Transducer		
HF Driver Type	Compression Driver	Compression Driver
Voice Coil Size	44mm / 1.75"	44mm / 1.75"
Exit Size	25mm / 1"	25mm / 1"
Diaphragm Material	Titanium	Titanium
Rated Impedance	8Ω	8Ω
HF Power re:AES2-2012	40W	40W
Nominal Coverage (H x V)	Hybrid Symmetry Horn,100°x80°	Hybrid Symmetry Horn,100°x80°
Power		
System Continuous Power	250W	400W
System Programme Power	500W	800W
System Peak Power	1000W	1600W
Crossover frequency	2.6kHz	2.7kHz
Input Connector	2 x NL4 (speakON)	2 x NL4 (speakON)
Hardware	35 mm pole socket, 10 M8 Rigging Points	35 mm pole socket, 10 M8 Rigging Points
Handles	2 carry handles	2 carry handles
Enclosure		
Enclosure Material and finish	Dynamic Polypropylene	Dynamic Polypropylene
Colour Options	Black / White	Black / White
Grille Material & Finish	1.2mm Steel	1.2mm Steel
Dimensions - Unpacked		
Height	582.7mm / 22.9"	728.5mm / 28.7"
Width Front	384.6mm / 15.1"	480.6mm / 18.9"
Width Rear	384.6mm / 15.1"	480.6mm / 18.9"
Depth	318.6mm / 12.5"	395.6mm / 15.6"
Dimensions - Packed		
Height	663mm / 26.1"	830mm / 32.7"
Width Front	435mm / 17.1"	514mm / 20.2"
Width Rear	435mm / 17.1"	514mm / 20.2"
Depth	408mm / 16.1"	489mm / 19.3"
Net Weight	12.0kg / 26.4lbs	22kg / 48.4lbs
Gross Weight	15.1kg / 33.2lbs	26.8kg / 59.0lbs

TITAN-X SERIES

TITAN-X12

TITAN-X15



WHARFEDALE PRO LIMITED WARRANTY

Wharfedale Pro products are warranted of manufacturing or material defects for a period of one year from the original date of purchase. In the event of malfunction, contact your authorised Wharfedale Pro dealer or distributor for information.

Please be aware that the warranty details may differ from country to country. Contact your dealer or distributor for information (available at www.wharfedalepro.com). These terms to not infringe your statutory rights.



Wharfedale Professional

IAG House 13/14 Glebe Road Huntingdon Cambridgeshire PE29 7DL UK

www.wharfedalepro.com

Wharfedale Professional reserves the right to alter or improve specifications without notice.

All rights reserved © 2015 Wharfedale Pro. Wharfedale Pro is a member of the IAG Group.



WWW.WHARFEDALEPRO.COM

WARNING AND SAFETY INSTRUCTIONS

1. READ ALL INSTRUCTIONS

Carefully and become familiar with the features and functions of these products before operating them.

2. RETAIN THESE INSTRUCTIONS

For future reference.

3. COMPLY WITH ALL WARNINGS

All warnings and instructions for this product should be adhered to.

4. USE WITH AMPLIFIERS

In order to avoid damage to drivers and other equipment,, it is advisable to establish and follow a routine for powering up and powering down a sound system. With all system components connected, turn on source equipment (mixers, signal processors, record and playback units, etc.) BEFORE powering up amplifiers. Transient voltages from powering up source equipment can damage speakers if amplifiers are already turned on. Make sure that amplifier volumes are set to their minimum settings and power up any system amplifiers LAST. It is recommended that all system components be allowed to stabilise for several seconds before powering down any other system components.

5. CABLES

Do not use shielded or microphone cables for connection between amplifiers and speakers. Use only approved speaker cables with proper connectors.

6. RIGGING – SUSPENDING – MOUNTING

Rigging, suspending and mounting of these speaker systems can expose members of the public to serious health risks and even death. Under no circumstances attempt to rig, suspend or otherwise mount these speakers unless you are fully qualified and certified to do so by relevant local, state and national authorities. All relevant safety regulations must be followed. If you are not properly qualified or do not know of pertinent regulations, consult qualified personnel for advice.

7. CAUTION

These professional loudspeaker systems are capable of generating very high sound pressure levels. Use care with placement and operation to avoid exposure to excessive volume levels. Permanent hearing damage can result when operated to extreme levels.

8. SERVICE

There are no user serviceable parts inside the product. Users should not attempt to service this product. Warranty nullification could result if this is attempted.

INTRODUCTION

The Titan-X Series fuses affordability and audio fidelity into an exceptionally lightweight polypropylene cabinet. Performance is achieved across multiple applications, from mobile DJs and bands, to corporate events and fixed installation. Built around the best components, including a titanium compression driver and heavy-duty cast-frame woofer, Titan delivers the high level, even dispersion and sonic integrity usually associated with much more expensive speakers.

Our latest generation of Titan-X features new proprietary driver technology, The HF has been completely reevaluated for both coverage and sound quality ensuring a much smoother sound, especially at high output while the all-new LF driver has improved moisture rejection characteristics which allows Titan-X to be installed into hostile environments.

Titan-X raises the bar for portable PA and is built-to last.

KEY FEATURES

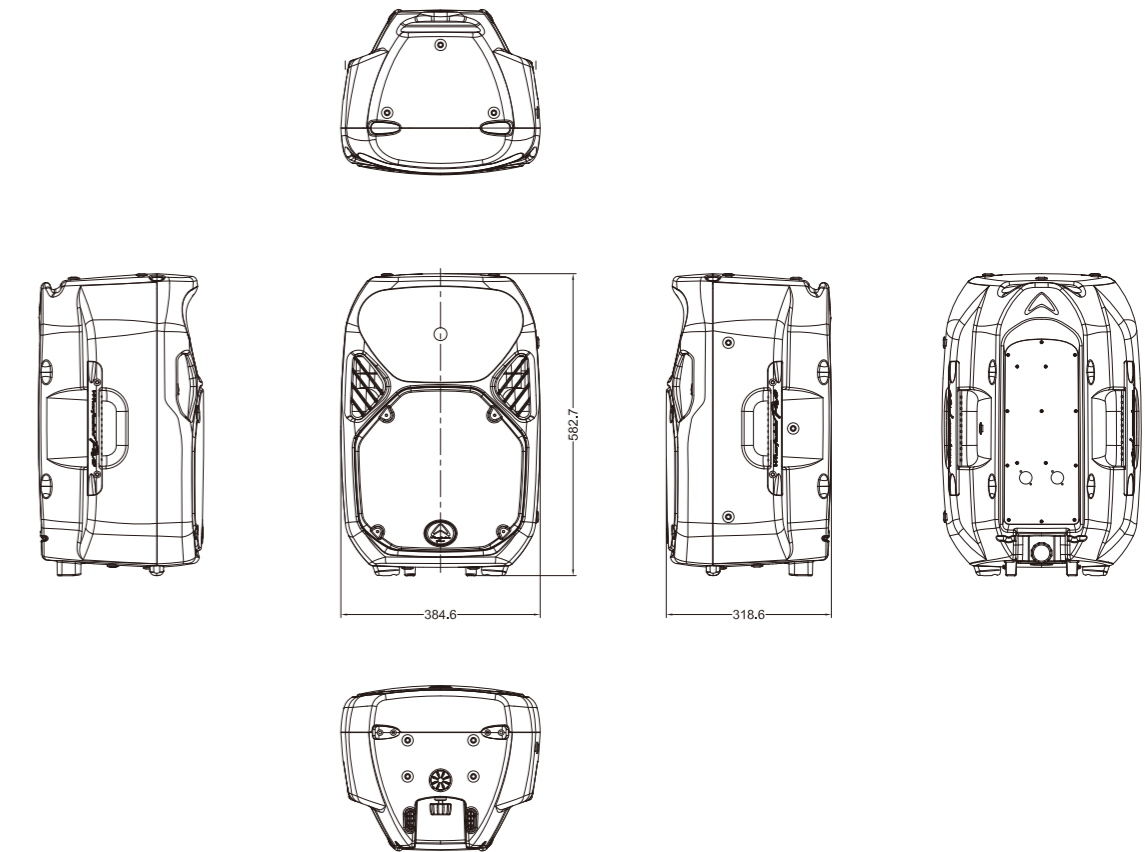
- Multi-purpose active and passive loudspeakers for hardworking musicians, bands and DJs who demand portability and power
- Double roll surround LF driver for stability and power
- Extended-range Titanium HF compression drivers
- Laminar rib-flow cabinet for minimised weight, enhanced acoustic rigidity and versatile placement options
- Rigging points for fixed installation on stage, bars, clubs and public areas

INSTALLATION

Titan-X Series speakers are both equally suitable for portable use and for rigging / fixed installation. Before attempting to install a Titan-X loudspeaker system please refer to the important warnings and safety instructions. Only qualified personnel should install a loudspeaker system.

Improper installation of a loudspeaker system can cause serious harm and even death if correct procedure is not followed. Anyone attempting installation assumes all liability arising from such use.

TITAN-X12 TECHNICAL DRAWING



TITAN-X15 TECHNICAL DRAWING

