

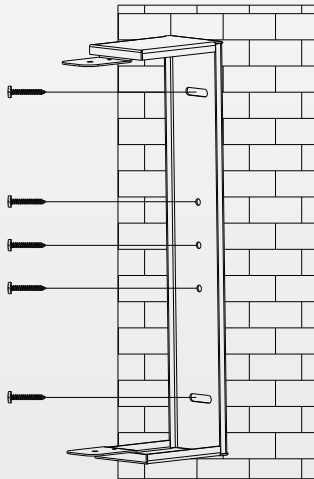


Titan 12 WPB-T12 WALL BRACKET

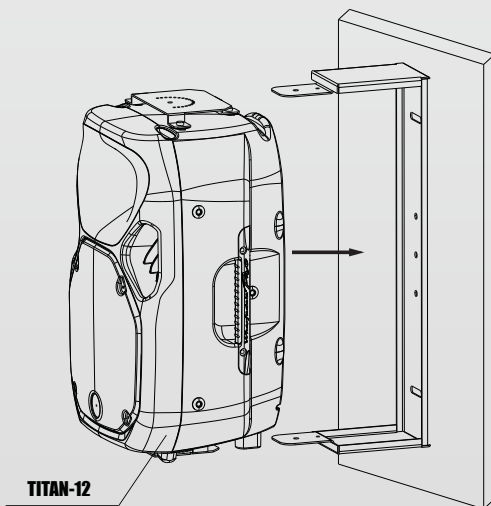
Installation Instructions

1 Attach the bracket to wall.

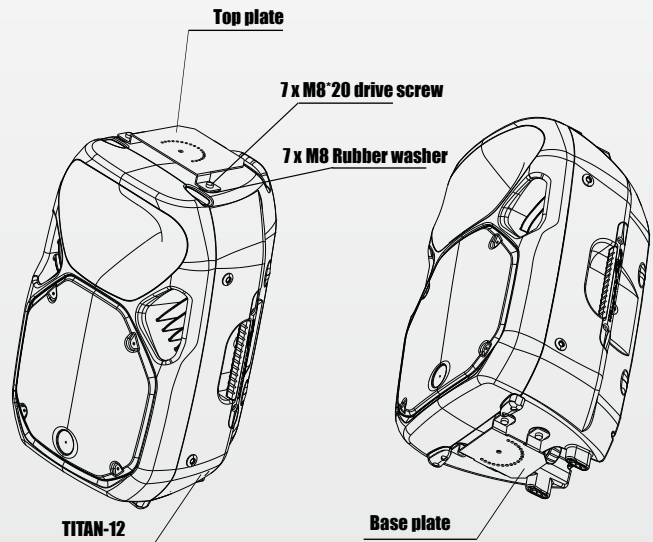
Always consider safety. A loudspeaker is heavy. Only use solid bolts and ensure the mounting is secure.



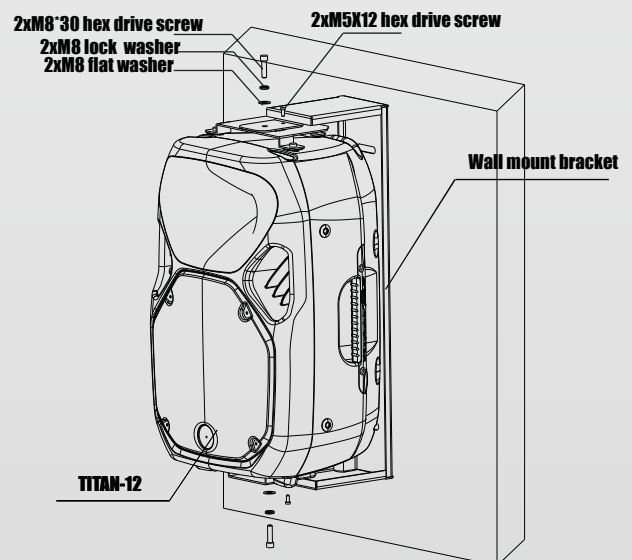
3 Insert the speaker vertically into the bracket, align the top hole of the bracket with the thread hole on the top. Align the bottom hole of the bracket with the thread hole on the base then add the flat washer and lock washer and lock-off the M8 hex drive screw.



2 Attach the top & bottom plates to the Titan speaker using the M8 hex drive screws provided.



4 Adjust the loudspeaker to the required angle and then lock the M5 hex drive screw.



Net Weight: 4.3kg / 9.48 lbs
Gross Weight: 5.5kg / 12.13 lbs

Wharfedale Professional
IAG HOUSE, 13/14 Glebe Road, Huntingdon, Cambs, PE29 6XU, England

www.wharfedalepro.com

Wharfedale Professional reserves the right to alter or improve specifications without notice
All rights reserved © 2018 Wharfedale Pro. Wharfedale Pro is a member of the International Audio Group (IAG).